



**Product model:** HTM708 hygienic temperature transmitter

**Manufacturer:** Nanjing Hangjia Electronic Technology Co., Ltd.

**Product category:** temperature transmitter

**Application:** On-site temperature measurement and control of industrial processes such as food, pharmaceutical, environmental protection, machinery, chemical industry, etc.

## Product Overview

HTM708 hygienic temperature transmitter adopts an all-stainless steel structure design and is mounted on a chuck. It is a hygienic temperature transmitter dedicated to food, pharmaceutical and other industries. This product uses PT100 etc. as the signal measurement element, and the amplification circuit is in the stainless-steel shell to convert the sensor signal into a (4~20) mA current signal or another standard signal. The entire product has undergone rigorous testing and aging of components, semi-finished products and finished products. With its excellent reliability, wide adaptability, product flexibility and diversity, this product is widely used in on-site temperature measurement and control of industrial processes such as food, pharmaceuticals, environmental protection, machinery, and chemicals.

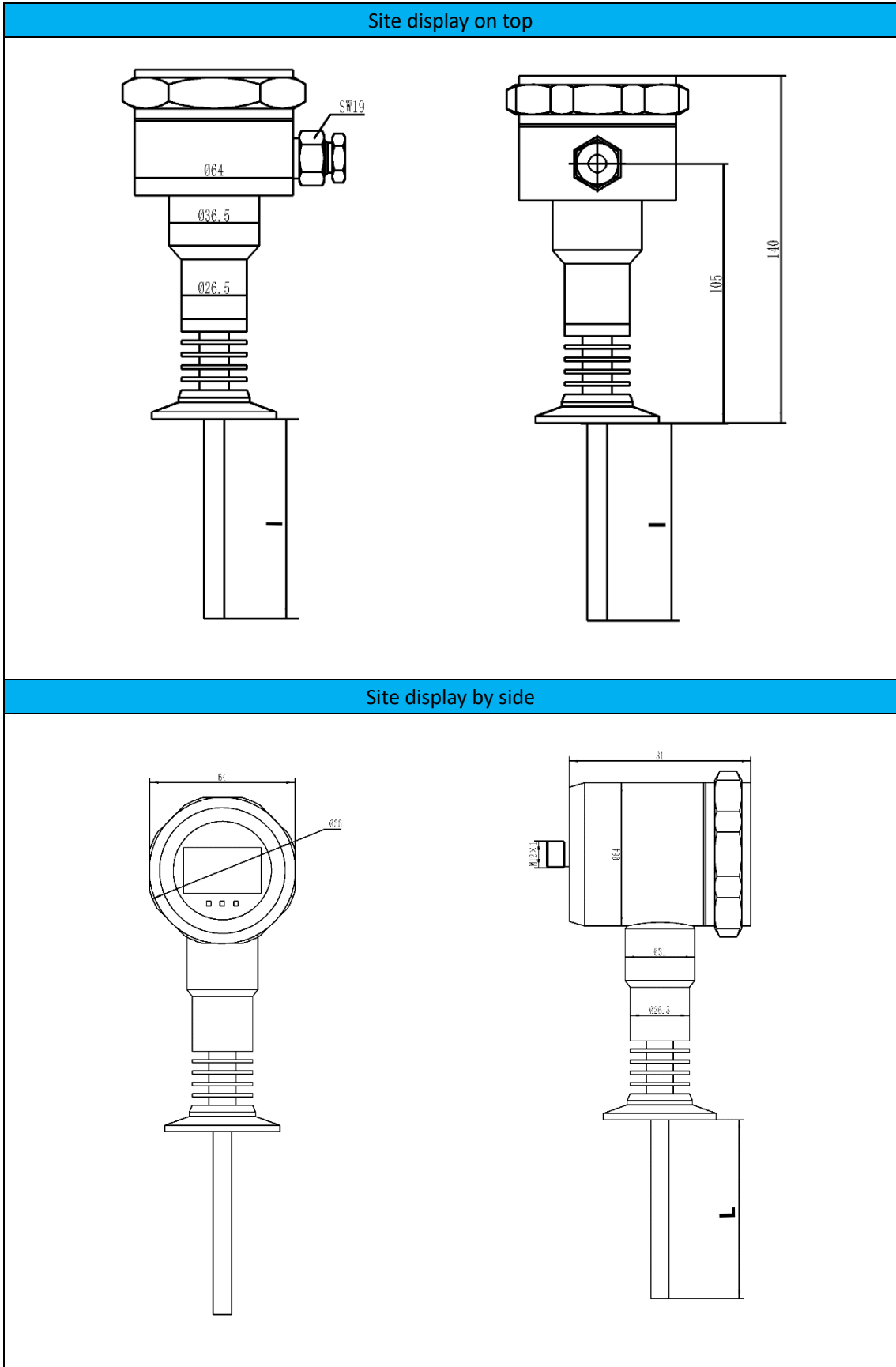
## Features

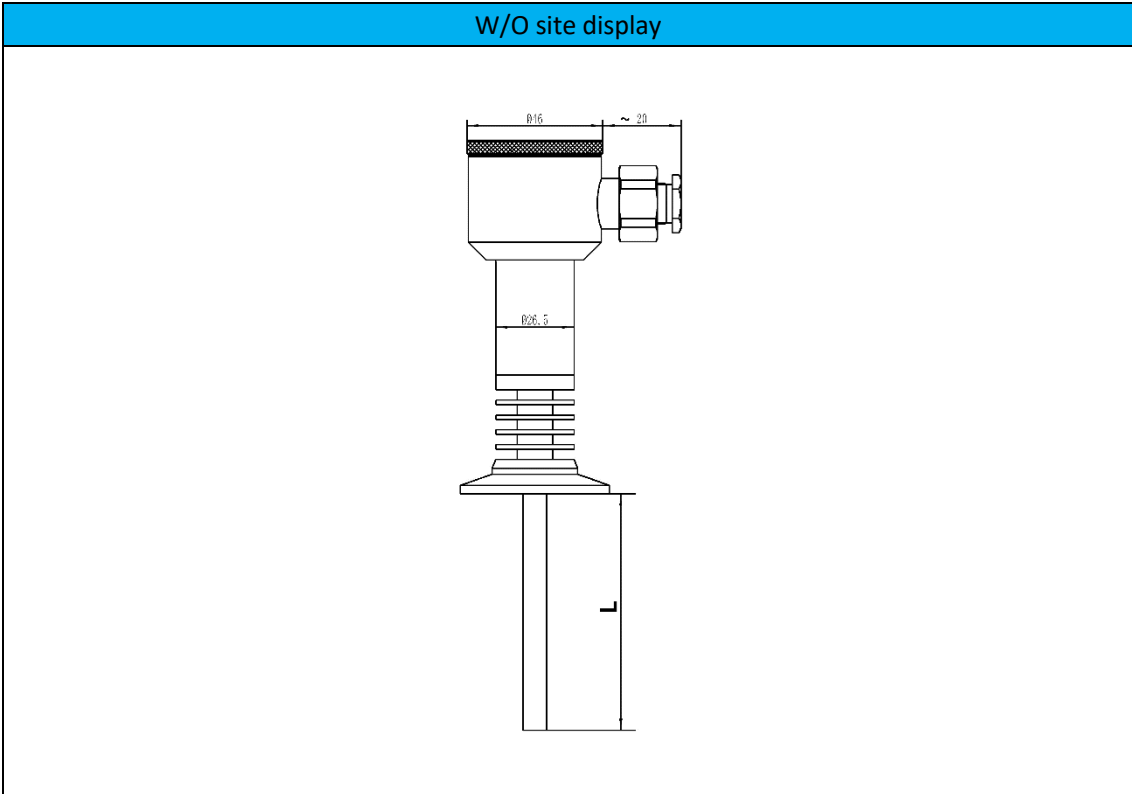
- ◆ Hygienic design
- ◆ All stainless steel 316L structure, no sanitary dead corners
- ◆ Standard chuck installation, easy to install and clean
- ◆ On-site display
- ◆ Isolated circuit design, strong anti-interference ability

## Technical Parameters

Measuring Temperature Range	-40~300°C
Measuring Medium	various liquid, gas, or steam compatible with 304 or 316L stainless steel
Accuracy	±0.5%FS
Long-term Stability	±0.2%FS/year
Insertion Depth	customization
Installment Thread	customization
Operation Temperature	-40~85°C
Storage Temperature	-40~85°C
Supply Voltage	24VDC
Output Signal	2-wire 4~20mADC, RS485 or HART
Protection Grade	IP65
Electrical Connection	Cables, site display, Circular Connector, etc

**Structure Drawings (Unit: mm)**

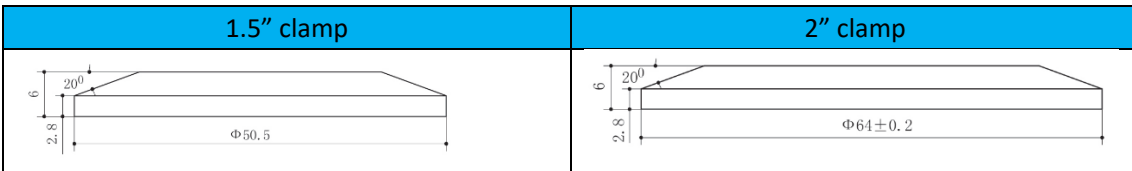




### Electrical Connection

Terminal	M12×1	Cable outlet	2-wire 4~20mA output
+	1	Red	Power supply+ (+V)
-	2	Black	Power supply- (0V/+OUT)
others	3	/	/

### Process Connection



## Ordering Guide

Model	Type						
HTM708	hygienic temperature transmitter						
	Range (0 ~ X) °C	Measuring Range fill X directly					
		Code	Output signal				
		B1	(4 ~ 20)mA				
		B7	RS485				
		B8	HART				
		Code	Process Connection				
		K1	1.5" clamp				
		K2	2" clamp				
		Code	Electrical Connection				
		C2	Cables				
		C5	M12×1				
		Code	Sensor type				
		P	PT100				
		Code	Others				
		I	I=insertion depth(mm)				
		L	L=Total length of protective tube(mm)				
		φ	φ=Protection tube diameter(mm)				
		Y1	Stainless steel waterproof case, without site display				
		Y6	site display on top				
		Y7	site display by side				
		F	Other requests				
HTM708	(0~200) °C	B1	K1	C2	P	I=100 L=150 φ=8	

## Certification Information

Factory certification	
Certification organization	CQM
Quality management system	ISO 9001:2015
Certification scope	Research, development and manufacture of pressure transmitter and temperature transmitter
Certificate No.	00223Q21711R1S